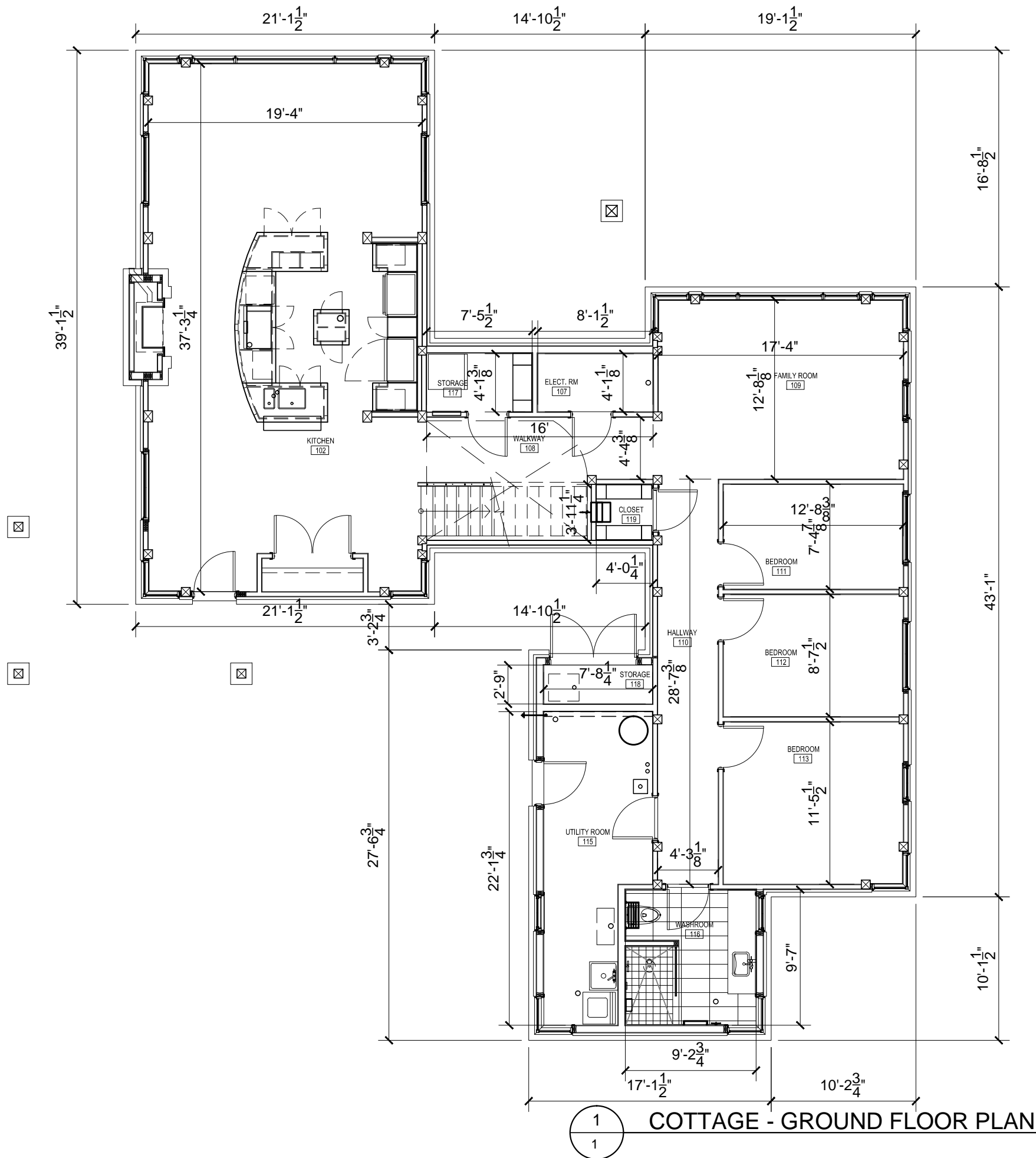


PROPOSED BUILDING GROSS FLOOR AREA : COTTAGE 341.2 M²
 GARAGE BUILDING : 76.5 M²
 EXISTING STRUCTURES TO BE DEMOLISHED: 155.3 SQUARE METERS
 LOT SIZE : 2,512.54 SQUARE METERS
 LOT COVERAGE : MAIN BUILDING 195.8 M² (7.79%)
 ACCESSORY BUILDING 76.5 M² (3.04%)

LEGEND

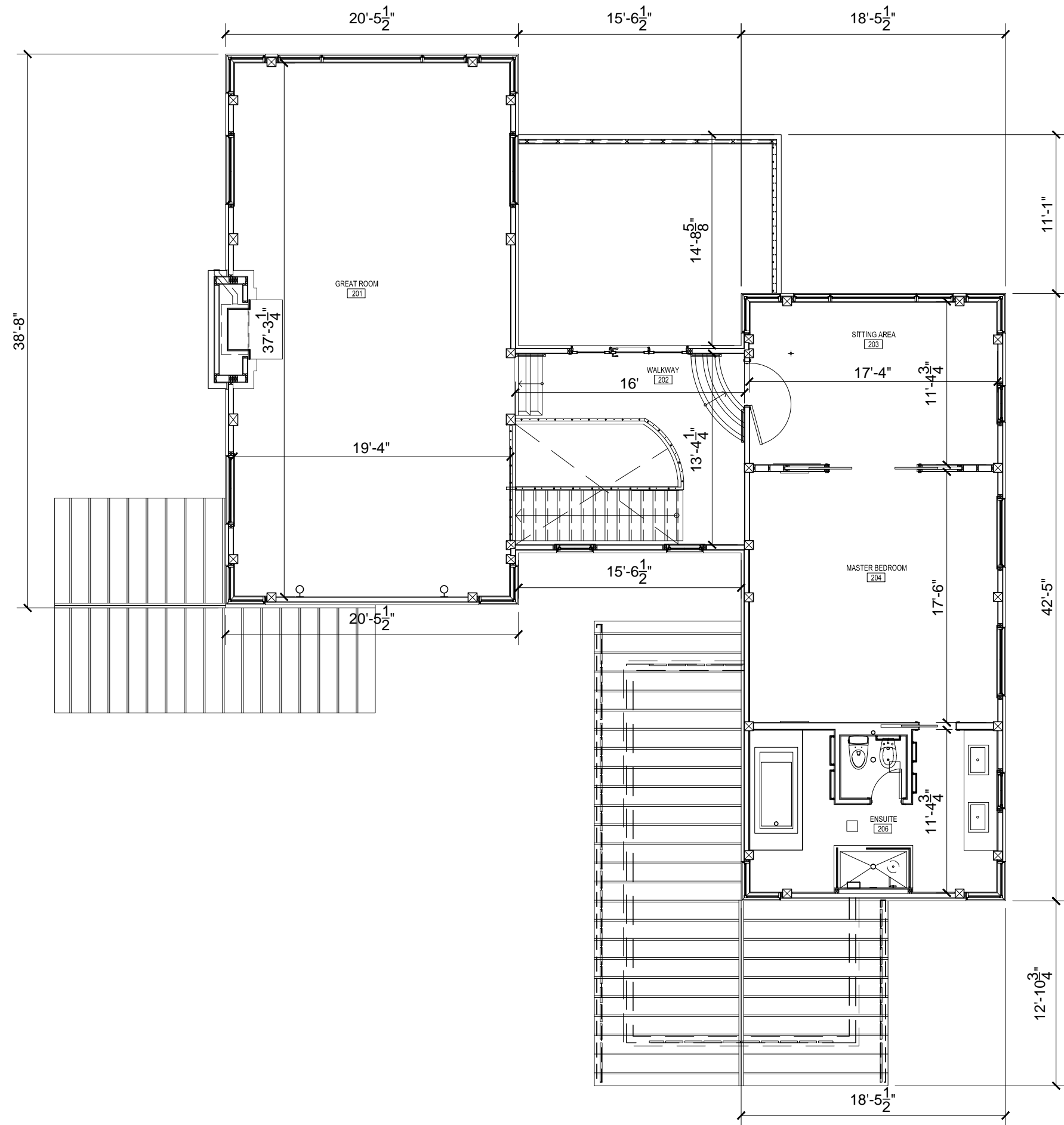
□	DENOTES	PLANTED.
■	DENOTES	FOUND.
SB	DENOTES	STANDARD IRON BAR.
S3B	DENOTES	SHORT STANDARD IRON BAR.
#	DENOTES	IRON BAR.
#P	DENOTES	ROCK POST.
#R	DENOTES	3/4" DIA. ROUND IRON BAR.
#T	DENOTES	WITNESS.
#W	DENOTES	PAUL WILSON O.L.S.
#B	DENOTES	BISHOP & WILSON LTD. O.L.S.
#H	DENOTES	H. C. BISHOP O.L.S.
#S	DENOTES	R.B. STINSON O.L.S.
#A	DENOTES	W.A. BENINGER O.L.S.
(M)	DENOTES	MEASURED.
(R)	DENOTES	REGISTERED PLAN No. 375.
(P)	DENOTES	PLAN19-4721.
○	DENOTES	TREE.
•	DENOTES	SPOT ELEVATION.
-100-	DENOTES	CONTOUR.

TOPOGRAPHIC SURVEY
 LOT 21, REGISTERED PLAN No. 375 AND
 PART OF THE ORIGINAL SHORE ROAD ALLOWANCE
 IN FRONT OF LOT 12, CONCESSION 2
 GEOGRAPHIC TOWNSHIP OF HAVELOCK
 MUNICIPALITY OF DYSART et al COUNTY OF HALIBURTON
 PAUL WILSON O.L.S., P. ENG.



ROOM NUMBER	DIMENSION (NORTH SOUTH)	DIMENSION (EAST WEST)
102	37'-3 $\frac{1}{4}$ "	19'-4"
107	4'-1 $\frac{1}{8}$ "	8'-1 $\frac{1}{2}$ "
108	4'-4 $\frac{3}{8}$ "	16'-0"
109	12'-8 $\frac{1}{8}$ "	17'-4"
110	28'-7 $\frac{3}{8}$ "	4'-3 $\frac{1}{8}$ "
111	7'-4 $\frac{7}{8}$ "	12'-8 $\frac{3}{8}$ "
112	8'-7 $\frac{1}{2}$ "	12'-8 $\frac{3}{8}$ "
113	11'-5 $\frac{1}{2}$ "	12'-8 $\frac{3}{8}$ "
115	7'-8 $\frac{1}{4}$ "	22'-1 $\frac{3}{4}$ "
116	9'-7"	9'-2 $\frac{3}{4}$ "
117	4'-1 $\frac{1}{8}$ "	7'-5 $\frac{1}{2}$ "
118	2'-9"	7'-8 $\frac{1}{4}$ "
119	3'-11 $\frac{1}{4}$ "	4'-0 $\frac{1}{4}$ "

NIZIOL COTTAGE
 1109 BULLFROG BAY
 SOUTH SHORE BIG KENNISIS LAKE
 CONCESSION 2, LOT 12
 HAVELOCK TOWNSHIP,
 HALIBURTON, ON
 K0M 1S0

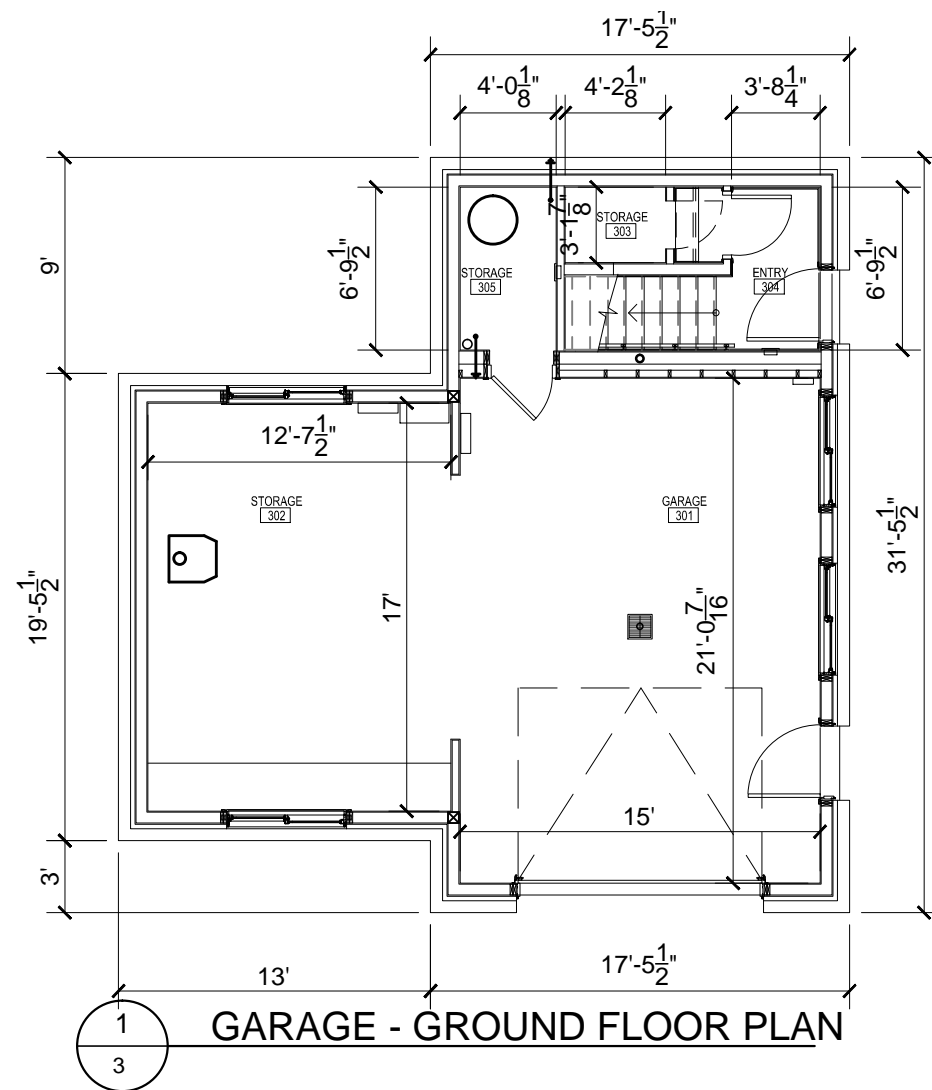


ROOM NUMBER	DIMENSION (NORTH SOUTH)	DIMENSION (EAST WEST)
201	37'-3 1/4"	19'-4"
202	13'-4 1/4"	16'-0"
203	11'-4 3/4"	17'-4"
204	17'-6"	17'-4"
205	11'-4 3/4"	17'-4"

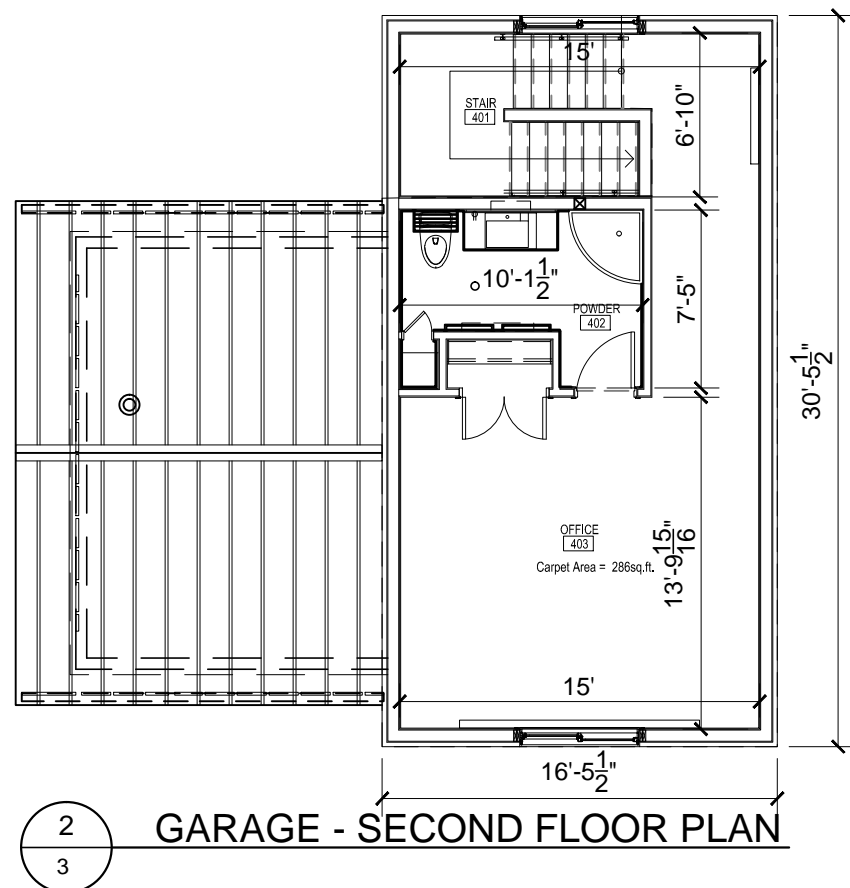
1
2

COTTAGE - SECOND FLOOR PLAN

NIZIOL COTTAGE
 1109 BULLFROG BAY
 SOUTH SHORE BIG KENNISIS LA
 CONCESSION 2, LOT 12
 HAVELOCK TOWNSHIP,
 HALIBURTON, ON
 K0M 1S0



ROOM NUMBER	DIMENSION (NORTH SOUTH)	DIMENSION (EAST WEST)
201	37'-3 1/4"	19'-4"
202	13'-4 1/4"	16'-0"
203	11'-4 3/4"	17'-4"
204	17'-6"	17'-4"
205	11'-4 3/4"	17'-4"



ROOM NUMBER	DIMENSION (NORTH SOUTH)	DIMENSION (EAST WEST)
201	37'-3 1/4"	19'-4"
202	13'-4 1/4"	16'-0"
203	11'-4 3/4"	17'-4"
204	17'-6"	17'-4"
205	11'-4 3/4"	17'-4"

NIZIOL COTTAGE
 1109 BULLFROG BAY
 SOUTH SHORE BIG KENNISIS L
 CONCESSION 2, LOT 12
 HAVELOCK TOWNSHIP,
 HALIBURTON, ON
 K0M 1S0